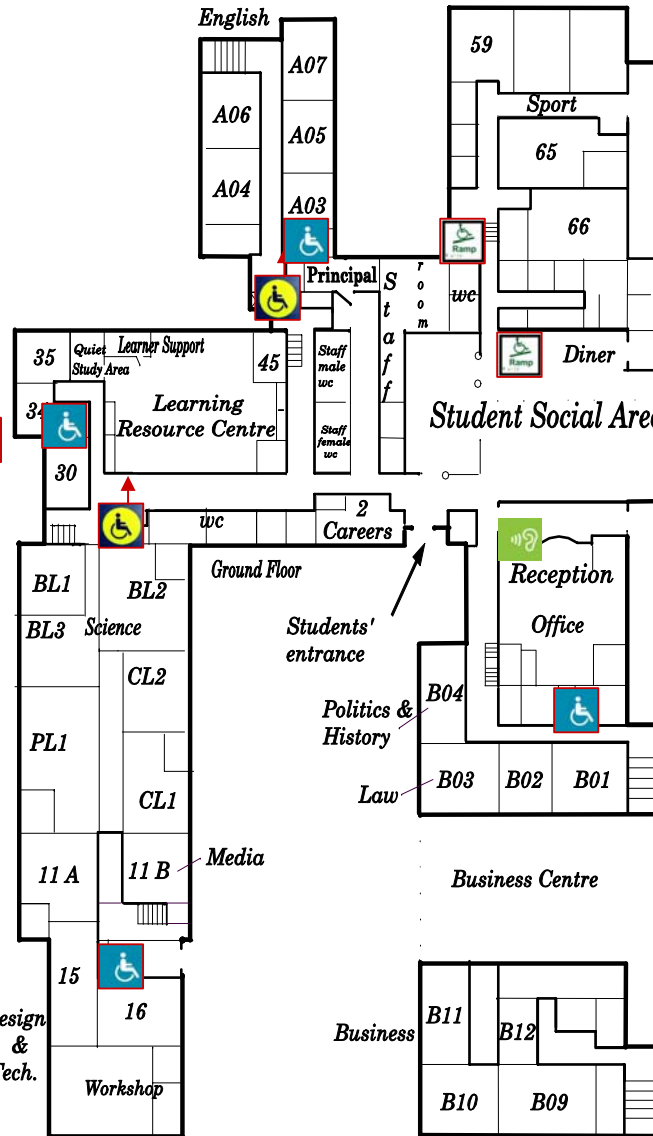
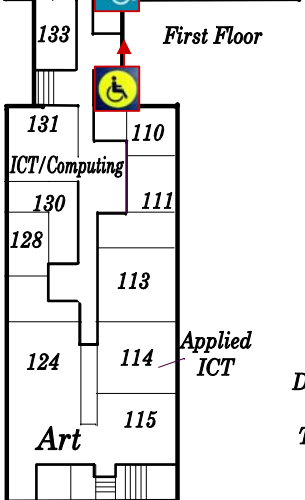
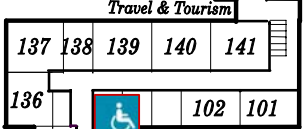
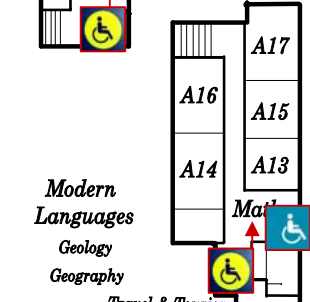


Psychology H & S Care  
Sociology



# Stockton Sixth



# Form College

Main entrance

Car park

1. Level access in and out of all main entrances and exits.

2. Automatic doors on main entrance and corridors.

3. Lifts with wheelchair access.

4. Wheelchair lifts to different levels.

5. Disabled toilets.

Dave Hornibrook 010/07

